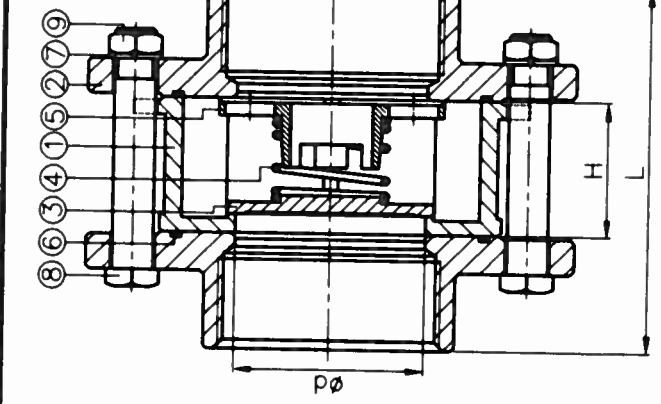


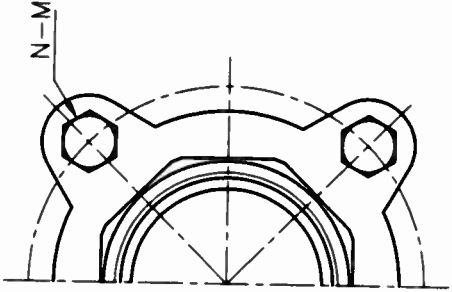
0.5-5	*0.1
0.3-1.2	*0.2
1.2-3.2	*0.3
3.2-10.0	*0.5
10.0-32.0	*0.8
32.0-100.0	*1.0

GENERAL TOLERANCE

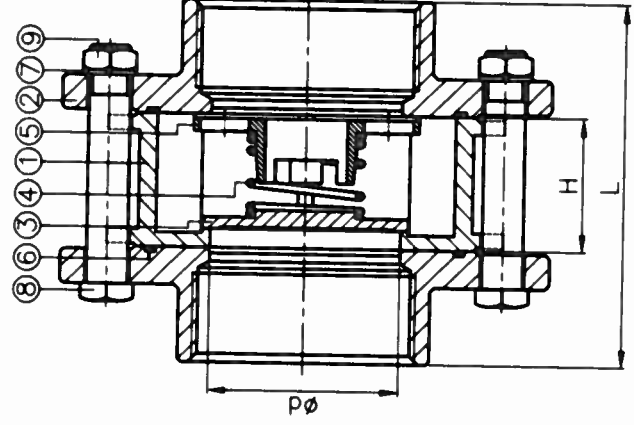


1/2"~2-1/2"

4 BOLTS

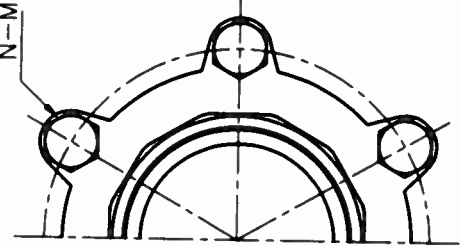


N-M



3"~4"

6 BOLTS~8BOLTS



N-M

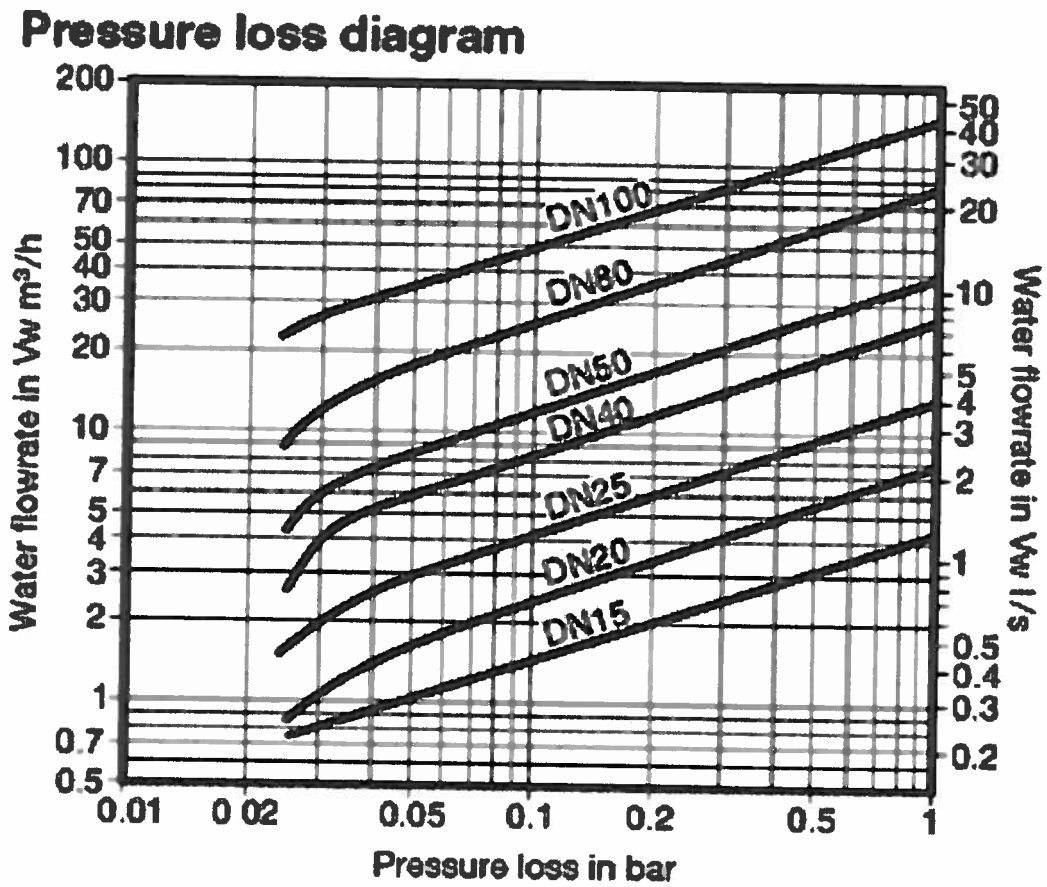
DN	d	H	L	N	M
15	15	16	57	4	M8
20	20	18.5	62.5	4	M8
25	25	22	72.8	4	M8
32	32	27	80	4	M10
40	38	32	91.7	4	M10
50	51	40	102.8	4	M10
65	65	46	125	4	M14
80	80	50	134	6	M14
100	100	61	157	8	M16

unit:mm

ITEM	PARTS	MATERIAL
1	BODY	ASTM A351-CF8M
2	CAP	
3	DISC	
4	SPRING	AISI 304
5	SPRING PLATE	ASTM A351-CF8M
6	BODY SEAL	
7	SPRING WASHER	PTFE / RTFE
8	BOLT	AISI 304
9	NUT	

Δ									
Δ									
Δ									
Revise									
DESCRIPTION	Disc Check Valve Screwed End PN40		ASTM A351-CF8M		Description		Date	Approve	
DRAWING NO.	modèle 5871								

Pertes de charges clapets antiretour Modèles 5871 / 5872 / 5873



Pressure loss diagram with open valve at 20°C.

Pression d'ouverture : environ 23 mBar